



6 REAR ELEVATION

Scale: 1/4"=1'-0"



5 FRONT ELEVATION@ WILLIAMS ST.

Scale: 1/4"=1'-0"

BRICK VANNER  
WATSON/TOWN BRICK COMPANY  
FORT HERITAGE, JUMBO BRICK

WHITE PVC

ANDERSEN 200 SERIES WINDOWS & DOORS  
COLOR: WHITE, TYP.

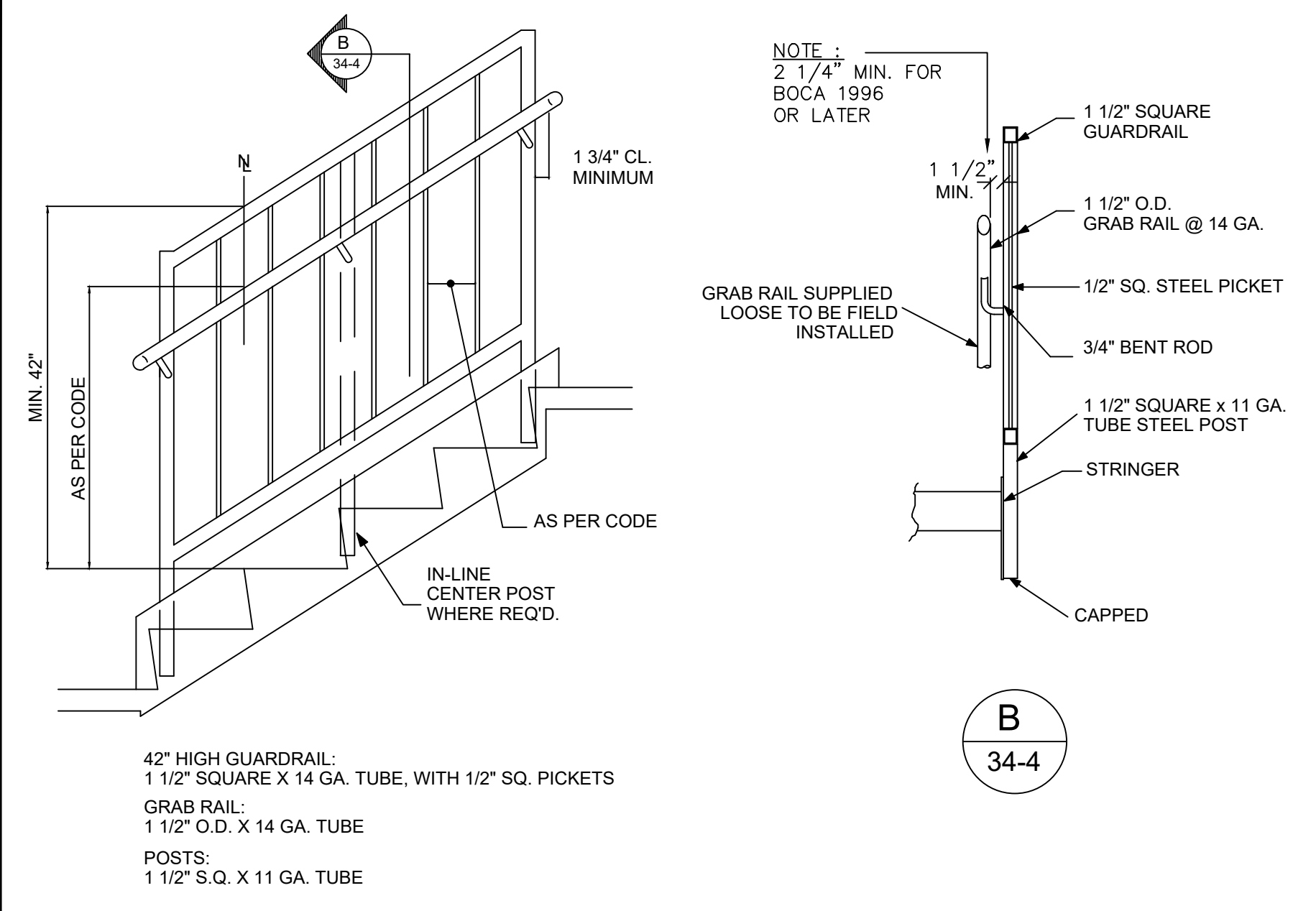
SHINGLES COLOR: ONYX BLACK or SLATESTONE GRAY

METAL GARAGE DOOR

CONCRETE BLOCK WALL  
INSTALL AND PREPARE AS IT IS  
SPECIFIED-SEE ARCHITECTURAL  
DRAWINGS.

PALUMBO BLOCKS  
MESA COLOR: BUFF

TYPICAL STAIR DETAIL



WINDOW SCHEDULE

|  |   |
|--|---|
| <p>CX24<br/>GLASS AREA=<br/>16.25S.F.</p>  | <p>CN23<br/>GLASS AREA=<br/>7.0S.F.</p> |
| <p>CASEMENT UNITS<br/>U-FACTOR=0.25; IGST=56DF; SHGC=.26; RHG=62; SC=0.29; VISIBLE LIGHT=40%</p> |   |

DOOR SCHEDULE

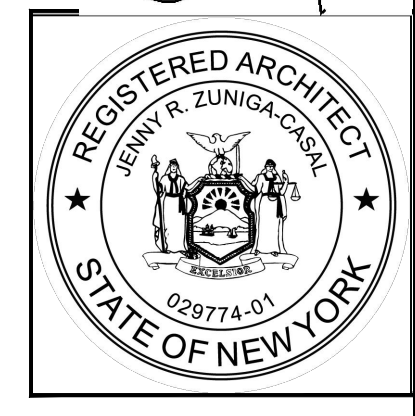
|  |  |  |
|--|--|--|
| <p>BATHROOM<br/>1-3/8" THICK HOLLOW<br/>CORE WOOD DOOR AND<br/>FRAME, (1" UNDERCUT<br/>DOOR) MARBLE SADDLE</p> | <p>CLOSET/LIN.<br/>1 3/8" THICK HOLLOW CORE<br/>WOOD DOOR AND FRAME.</p> | <p>OFFICE<br/>1-3/8" THICK<br/>HOLLOW CORE<br/>1HR RATED DOOR<br/>AND FRAME.</p> |
|--|--|--|

JOB NO: 222-136  
DATE 06/04/22  
SCALE AS NOTED  
DRN. BY: EAA

ISSUED  
06-15-22 FOR REVIEW BY OWNER  
07-22-22 REVISED AS PER COMMENTS  
08-04-22 REVISED AS PER COMMENTS  
08-04-22 REVISED PER OWNER COMMENTS

Jenny R. Zuniga-Casal  
ARCHITECT

Jenny R. Zuniga-Casal Architecture LLC  
77 Sierra Vista Lane, Valley Cottage, NY, 10989  
Tel: 845.598.1613 Fax: 845.512.8290  
Email: jzuniga000@msn.com



PROPOSE NEW STRUCTURE

COMMERCIAL SPACE  
39 WILLIAMS RD  
PEARL RIVER, NY 10965

DRAWING NO:  
**A-5**