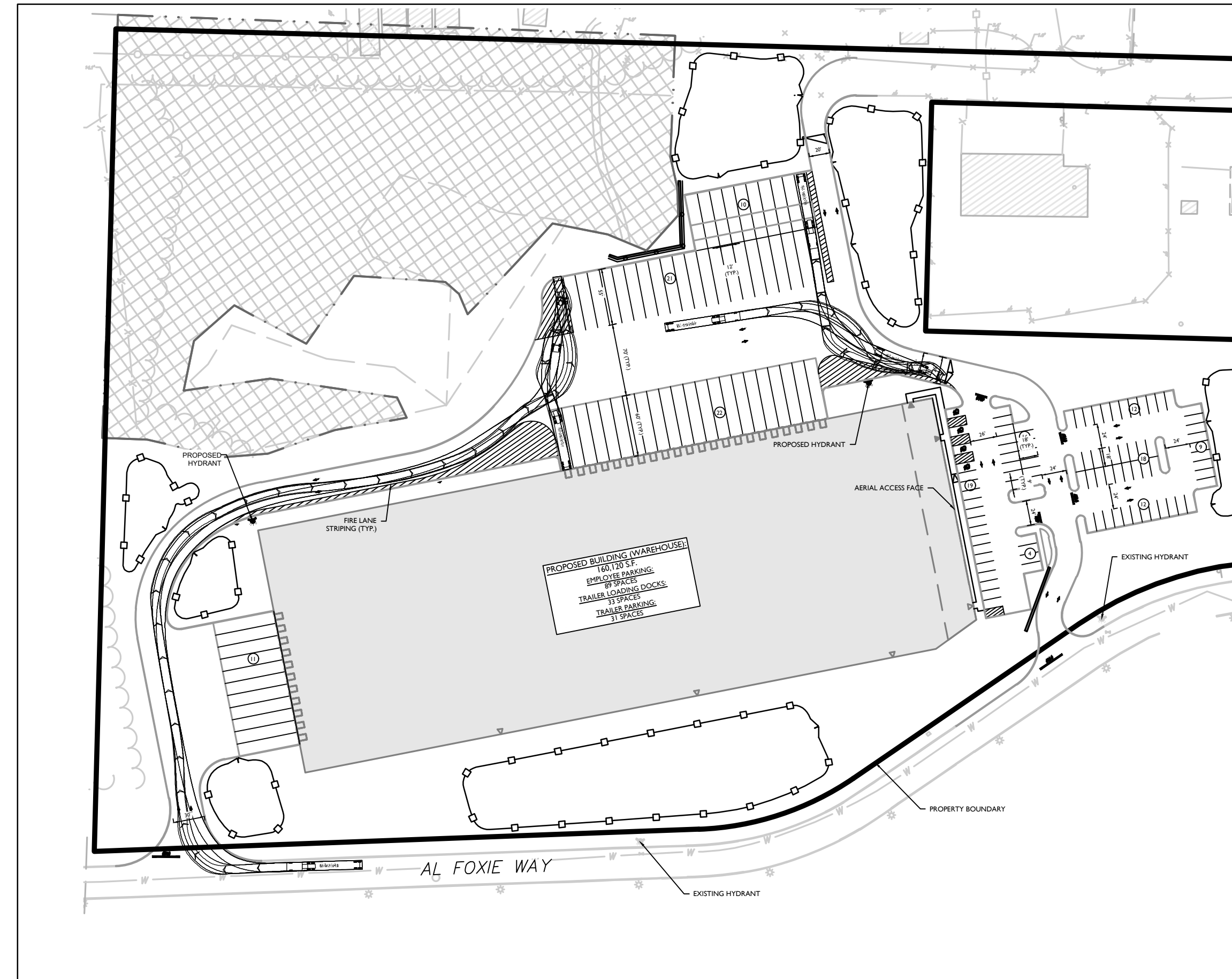
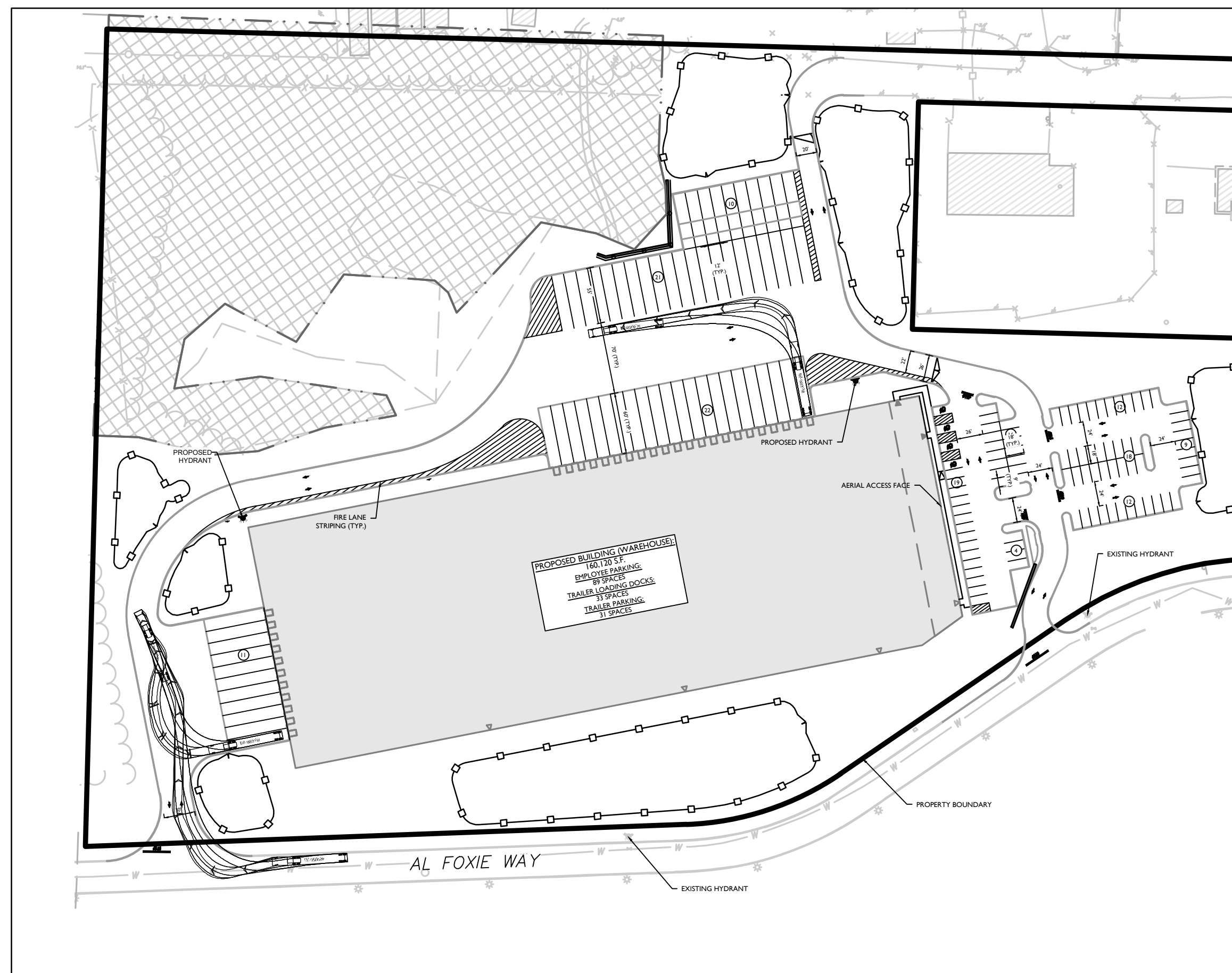


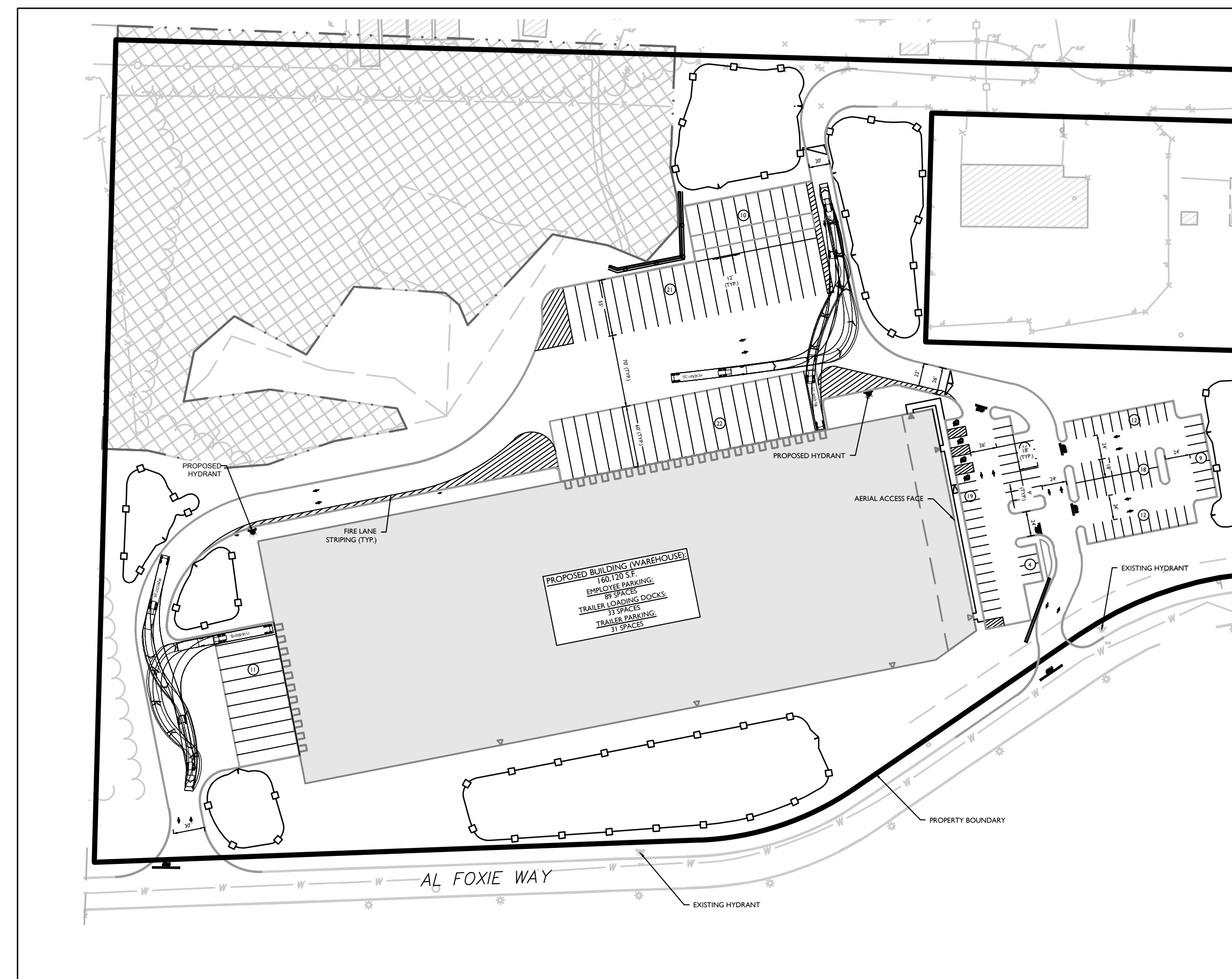
DOCK TO EXIT MOVEMENTS



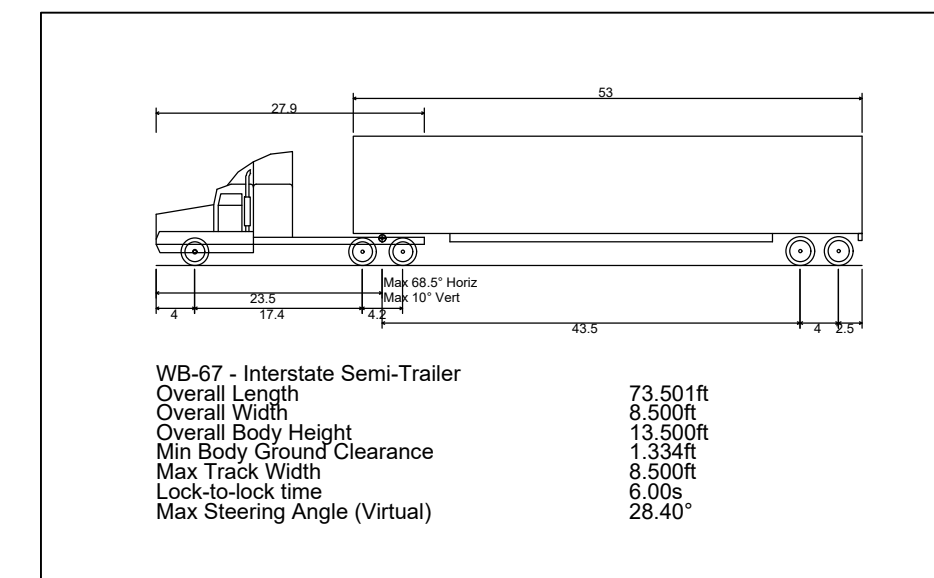
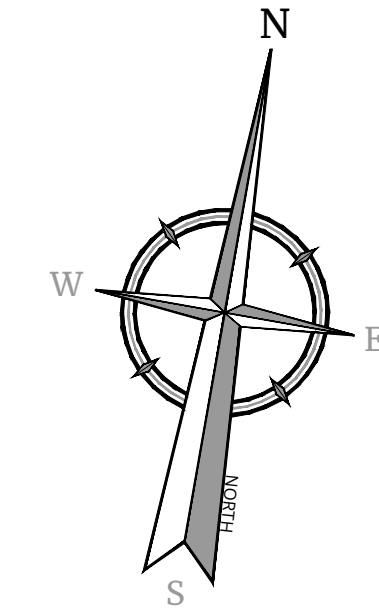
ENTRANCE TO DOCK & PARKING MOVEMENTS



DOCK EXIT MOVEMENTS



DOCK ENTRANCE MOVEMENTS



WB-67 - Interstate Semi-Trailer  
 Overall Length 73.50 ft  
 Overall Width 8.500 ft  
 Overall Body Height 13.500 ft  
 Min Body Ground Clearance 1.300 ft  
 Max Track Width 8.500 ft  
 Lock-to-lock time 6.00 s  
 Max Steering Angle (Virtual) 28.40°



**Colliers**

Engineering & Design

www.colliersengineering.com

Copyright © 2024, Colliers Engineering & Design All Rights Reserved. This drawing and all the information contained herein is authorized for use only by the party for whom the services were contracted or to whom it is certified. This drawing may not be copied, revised, disclosed, distributed or relied upon for any other purpose without the express written consent of Colliers Engineering & Design.

Doing Business as **MASER CONSULTANTS**

**811** PROTECT YOURSELF  
 ALL STATES REQUIRE NOTIFICATION OF EXCAVATORS, DESIGNERS, OR ANY PERSON PREPARING TO DISTURB THE EARTH'S SURFACE ANYWHERE IN ANY STATE  
 Know what's below. Call before you dig.  
 FOR STATE SPECIFIC DIRECT PHONE NUMBERS VISIT: WWW.CALL811.COM

REV	DATE	DRAWN BY	DESCRIPTION
1	03/05/24	TIPS	REVISED PER SITE LAYOUT CHANGES.

EXHIBIT  
 FOR  
 622 ROUTE 303 LLC

S.B.L.: 65-14-1-11.2 & 11.3

TOWN OF ORANGETOWN  
 ROCKLAND COUNTY  
 NEW YORK STATE

**Colliers** NEWBURGH  
 555 Hudson Valley Avenue  
 Suite 101  
 New Windsor, NY 12553  
 Phone: 845.564.4495  
 Engineering & Design  
 COLLIER'S ENGINEERING & DESIGN CT, P.C.  
 DOING BUSINESS AS MASER CONSULTANTS  
 ENGINEERING & LAND SURVEYING

SCALE: AS SHOWN	DATE: 01/06/2023	DRAWN BY: SMB	CHECKED BY: JED
PROJECT NUMBER: 22002634A	DRAWING NAME: C-EXBT		

SHEET TITLE  
**TRUCK MANEUVERABILITY EXHIBIT**

SHEET NUMBER  
 1 of 1

NOTE: DO NOT SCALE DRAWINGS FOR CONSTRUCTION.

2022/2020/03/04/04/Engineering/CONTRACT/0874/ALF/03/24/08/01/01