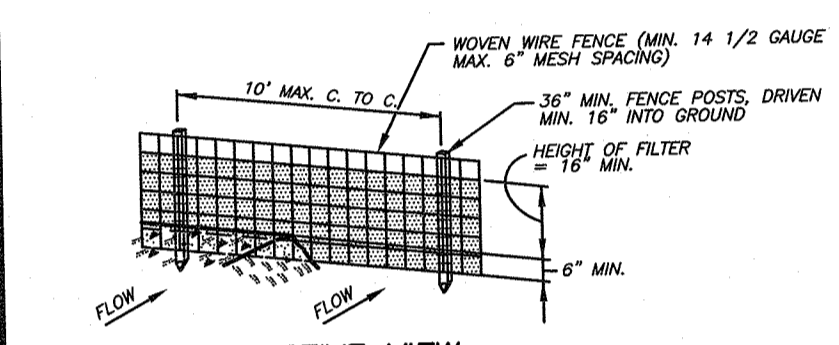


- ### CONSTRUCTION SPECIFICATIONS
1. FILTER FABRIC SHALL HAVE AN EOS OF 40-85.
 2. WOODEN FRAME SHALL BE CONSTRUCTED OF 2" X 4" CONSTRUCTION GRADE LUMBER.
 3. WIRE MESH ACROSS THROAT SHALL BE A CONTINUOUS PIECE 30 INCH MINIMUM WIDTH WITH A LENGTH 4 FEET LONGER THAN THE THROAT. IT SHALL BE SHAPED AND SECURELY NAILED TO A 2" X 4" WEIR.
 4. THE WEIR SHALL BE SECURELY NAILED TO 2" X 4" SPACERS 9 INCHES LONG SPACED NO MORE THAN 6 FEET APART.
 5. THE ASSEMBLY SHALL BE PLACED AGAINST THE INLET AND SECURED BY 2" X 4" ANCHORS 2 FEET LONG EXTENDING ACROSS THE TOP OF THE INLET AND HELD IN PLACE BY SANDBAGS OR ALTERNATE WEIGHTS.

CURB INLET PROTECTION

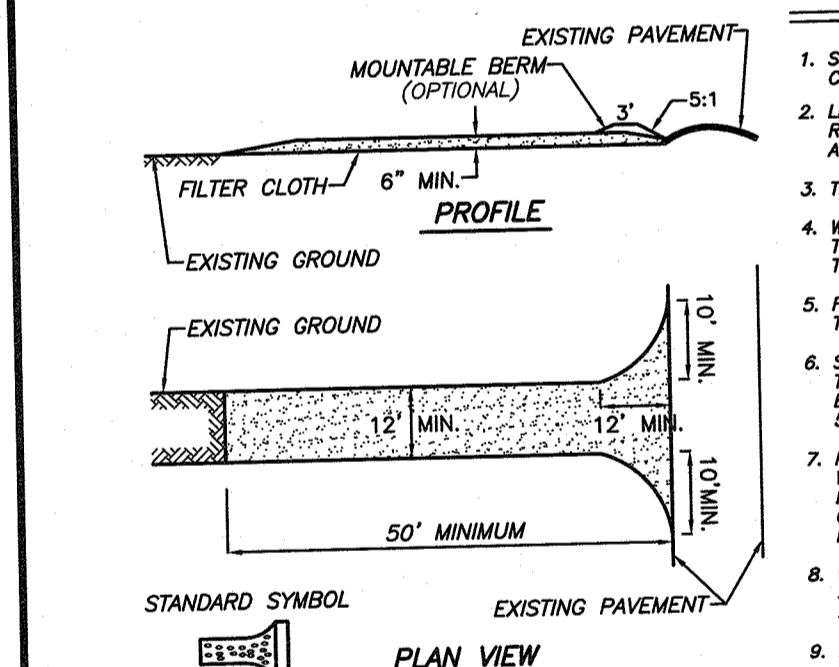
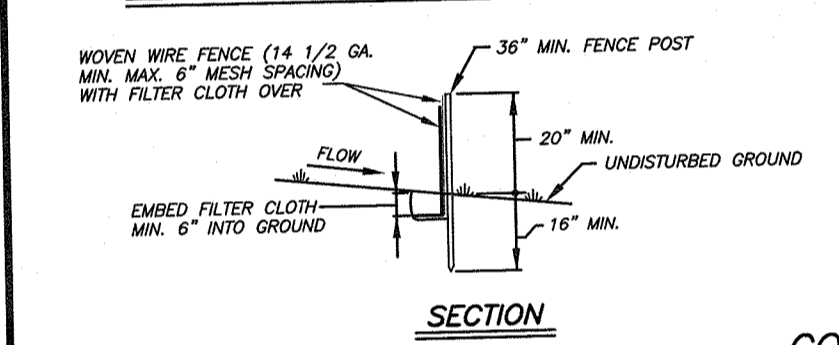
NTS



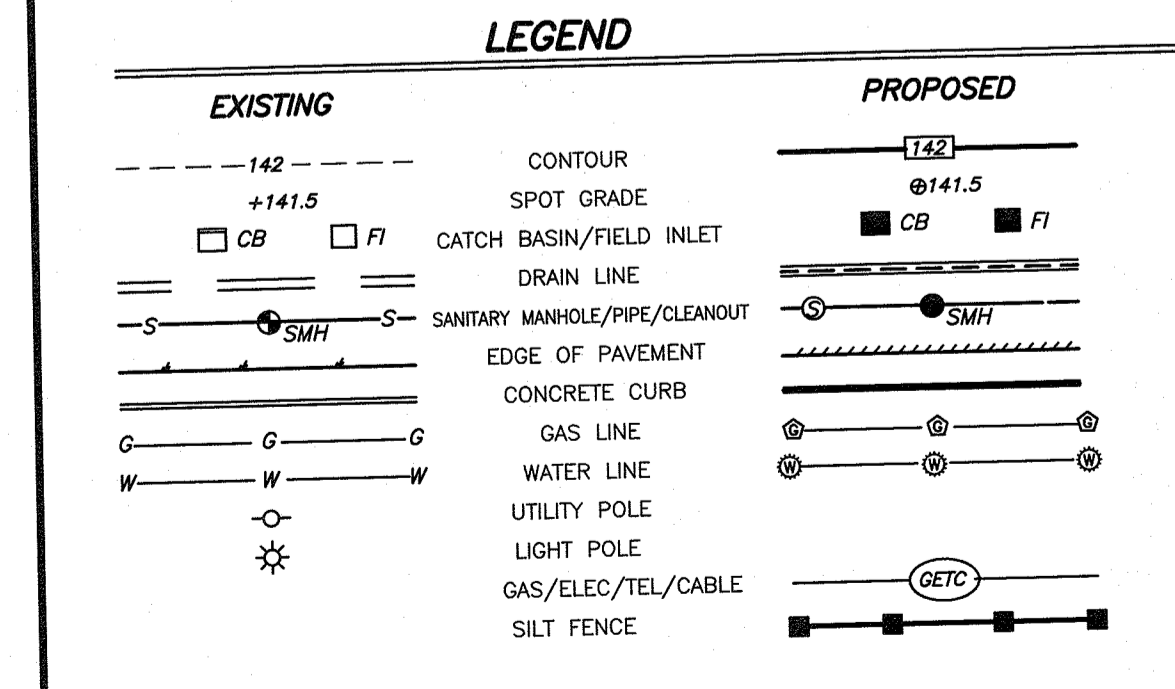
- ### CONSTRUCTION NOTES FOR FABRICATED SILT FENCE
1. WOVEN WIRE FENCE TO BE FASTENED SECURELY TO FENCE POSTS WITH WIRE TIES OR STAPLES.
 2. FILTER CLOTH TO BE FASTENED SECURELY TO WOVEN WIRE FENCE WITH TIES SPACED EVERY 24" AT TOP AND MID SECTION.
 3. WHEN TWO SECTIONS OF FILTER CLOTH ADJOIN EACH OTHER THEY SHALL BE OVERLAPPED BY SIX INCHES AND FOLDED.
 4. MAINTENANCE SHALL BE PERFORMED AS NEEDED AND MATERIAL REMOVED WHEN "BULGES" DEVELOP IN THE SILT FENCE.
- POSTS: STEEL EITHER "1" OR "2" TYPE OR 2" HARDWOOD.
 FENCE: WOVEN WIRE 1 1/2 GA. 6" MAX. MESH OPENING.
 FILTER CLOTH: FILTER X, MIRAFI 100X, STABILINKA TYMON, OR APPROVED EQUAL.
 PREFABRICATED UNIT: GEOFAB, ENVIROFENCE, OR APPROVED EQUAL.

WIRE REINFORCED SILT FENCE

NTS

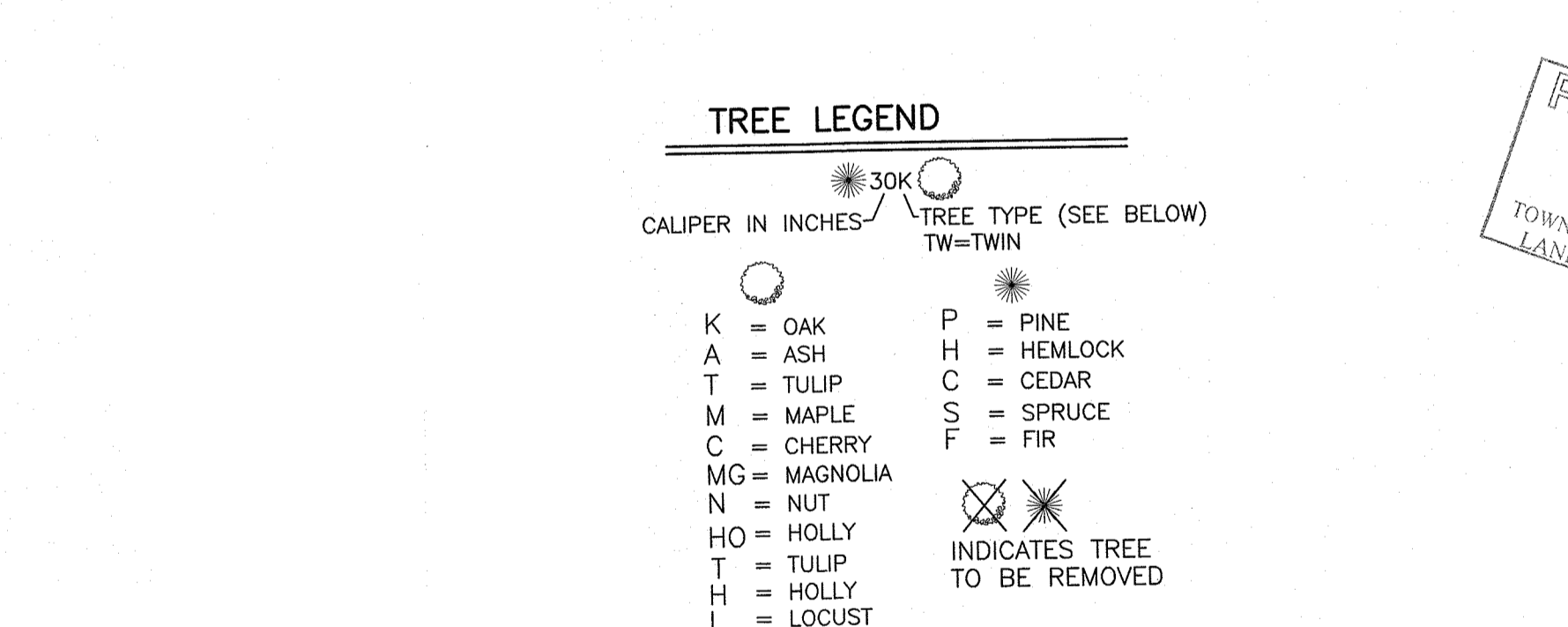
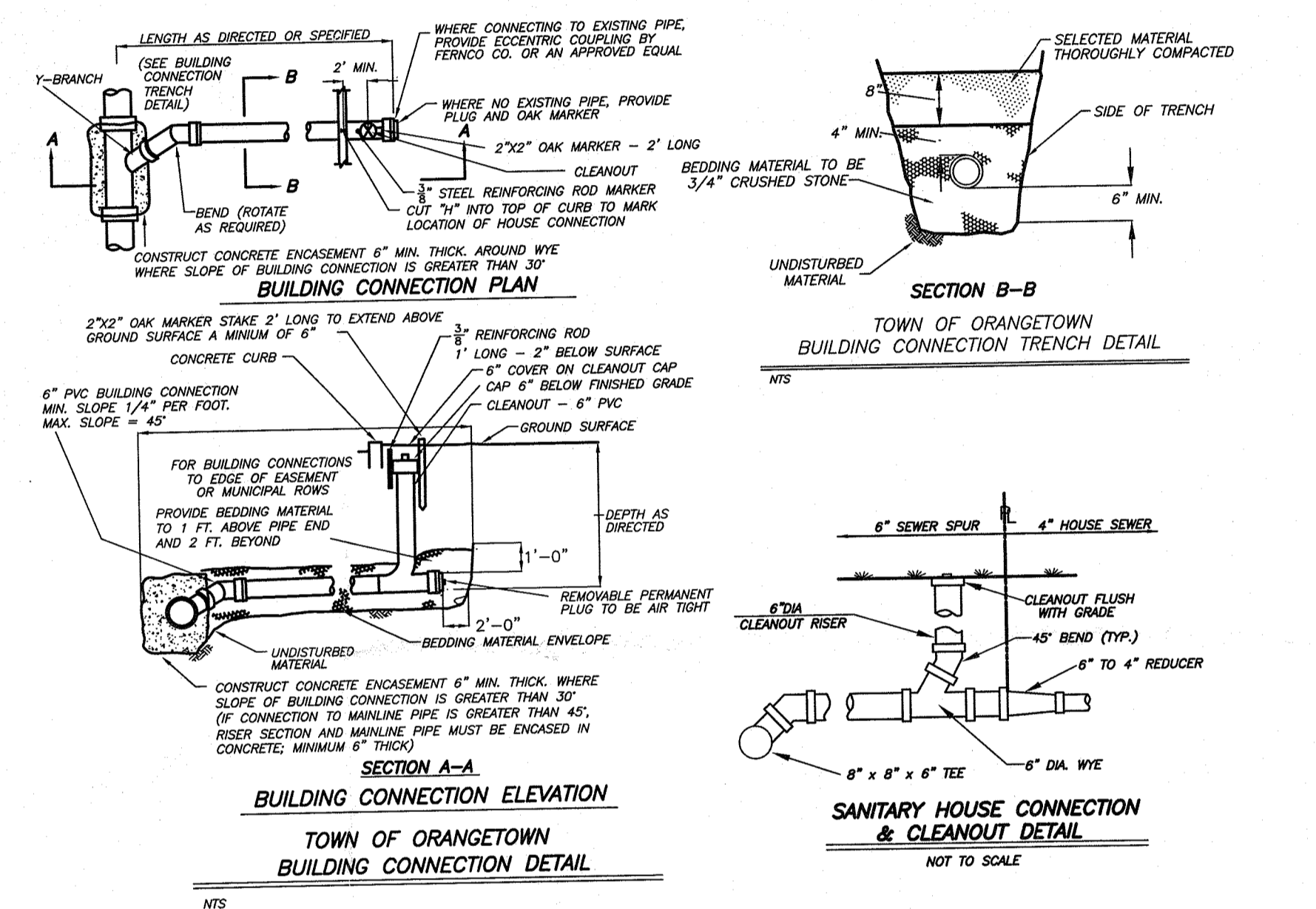
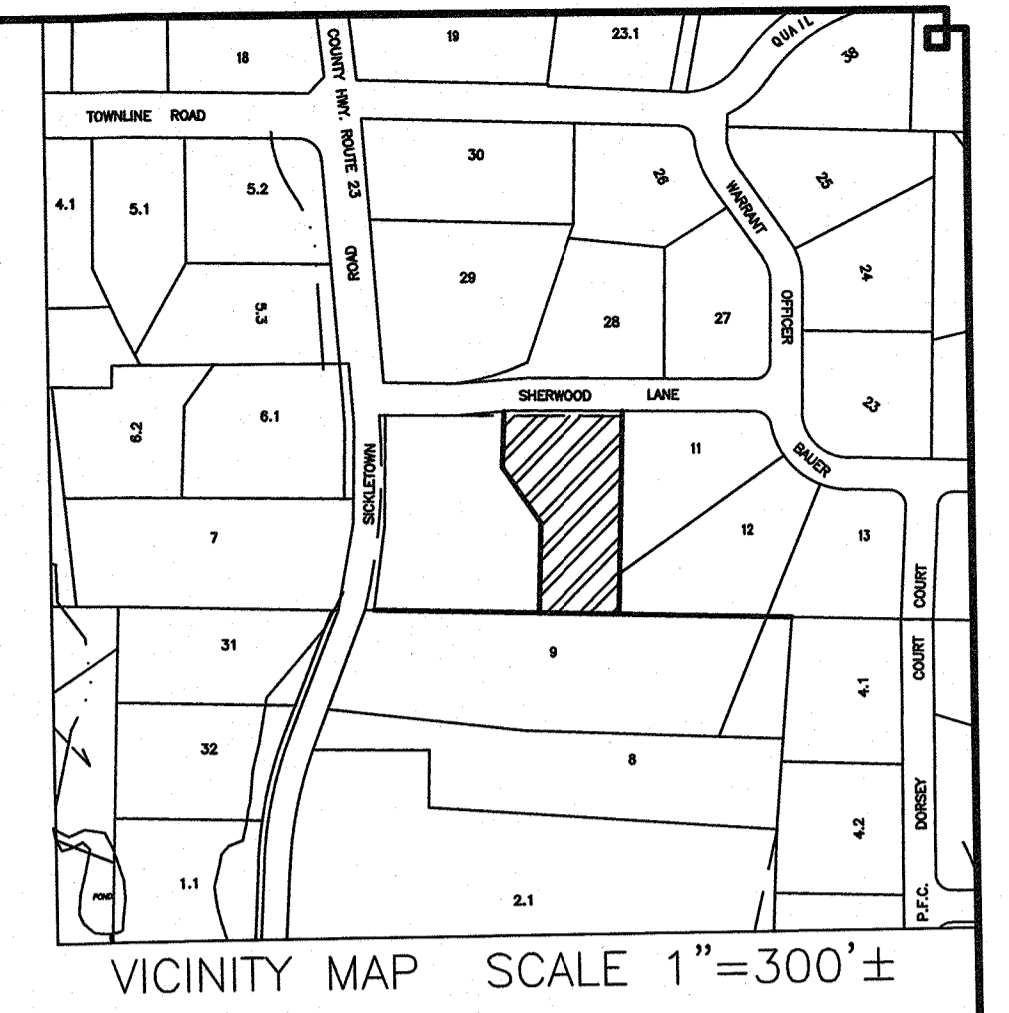
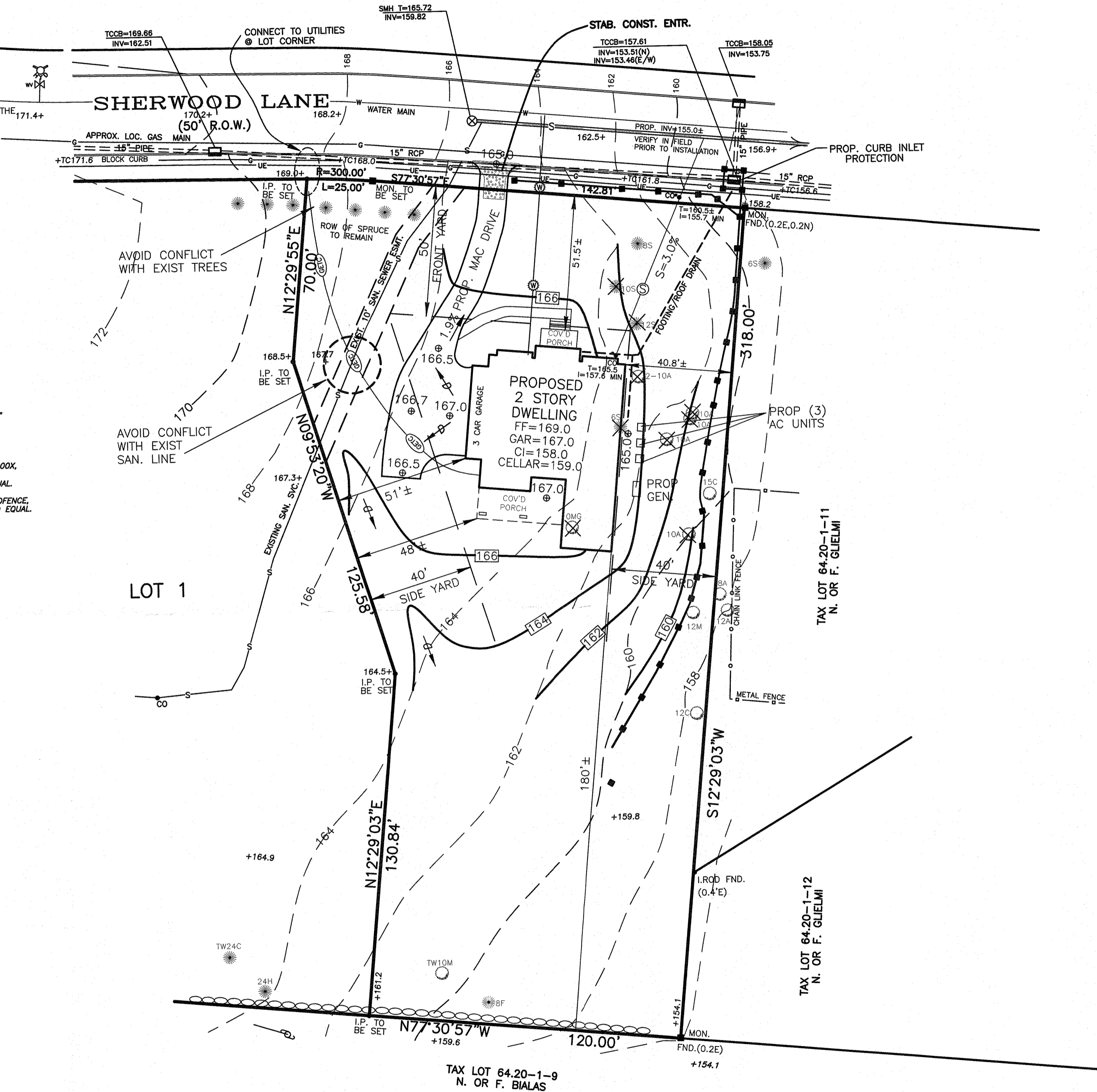


- ### CONSTRUCTION SPECIFICATIONS
1. STONE SIZE - USE 2" STONE, OR RECLAIMED OR RECYCLED CONCRETE EQUIVALENT.
 2. LENGTH - NOT LESS THAN 50 FEET (EXCEPT ON A SINGLE RESIDENCE LOT WHERE A 30 FOOT MINIMUM LENGTH WOULD APPLY).
 3. THICKNESS - NOT LESS THAN (6) INCHES.
 4. WIDTH - TWELVE (12) FOOT MINIMUM, BUT NOT LESS THAN THE FULL WIDTH AT POINTS WHERE INGRESS OR EGRESS OCCURS. TWENTY-FOUR (24) FOOT IF SINGLE ENTRANCE TO SITE.
 5. FILTER CLOTH - WILL BE PLACED OVER THE ENTIRE AREA PRIOR TO PLACING OF STONE.
 6. SURFACE WATER - ALL SURFACE WATER FLOWING OR DIVERTED TOWARD CONSTRUCTION ENTRANCES SHALL BE PIPED ACROSS THE ENTRANCE. IF PIPING IS IMPRACTICAL, A MOUNTING BERM WITH 5:1 SLOPES WILL BE PERMITTED.
 7. MAINTENANCE - THE ENTRANCE SHALL BE MAINTAINED IN A CONDITION WHICH WILL PREVENT TRACKING OR FLOWING OF SEDIMENT ONTO PUBLIC RIGHTS-OF-WAY. ALL SEDIMENT SPILLED, DROPPED, WASHED OR TRACKED ONTO PUBLIC RIGHTS-OF-WAY MUST BE REMOVED IMMEDIATELY.
 8. WHEN WASHING IS REQUIRED, IT SHALL BE DONE ON AN AREA STABILIZED WITH STONE AND WHICH DRAINS INTO AN APPROVED SEDIMENT TRAPPING DEVICE.
 9. PERIODIC INSPECTION AND NEEDED MAINTENANCE SHALL BE PROVIDED AFTER EACH RAIN.



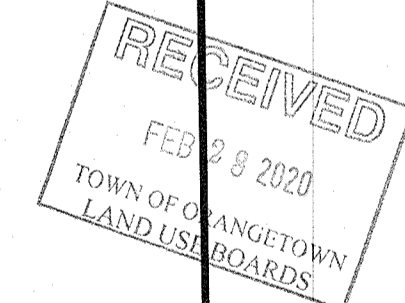
BULK REGULATIONS ZONE R-40

USE GROUP: M	LOT AREA	MIN. LOT WIDTH	MIN. STREET FRONTAGE	MIN. FRONT YARD	MIN. SIDE YARD	TOTAL BOTH SIDE YARDS	MIN. REAR YARD	MAX. BLDG. HEIGHT	MAX. FLOOR AREA RATIO
REQUIRED	40,000 SF	150 FT	100 FT	50 FT	30 FT	80 FT	50 FT	8'/FT 51.5x1/2=34.33	0.15
LOT 2	44,321 SF	160'+	167.81'	51.5'	40.8'	88'±	180'+	33.7'±	<0.142 PER ARCHT



- ### TREE LEGEND
- CALIPER IN INCHES / TREE TYPE (SEE BELOW)
 TW=TWIN
- | | |
|---------------|-------------|
| K = OAK | P = PINE |
| A = ASH | H = HEMLOCK |
| T = TULIP | C = CEDAR |
| M = MAPLE | S = SPRUCE |
| C = CHERRY | F = FIR |
| MG = MAGNOLIA | |
| N = NUT | |
| HO = HOLLY | |
| T = TULIP | |
| H = HOLLY | |
| L = LOCUST | |
- INDICATES TREE TO BE REMOVED

BEING LOT #2 AS SHOWN ON A MAP ENTITLED "SUBDIVISION FOR McLOUGHLIN" FILED 12/27/06 IN THE ROCKLAND COUNTY CLERK'S OFFICE AS MAP #7899



DATE	REVISIONS

DESIGNED JAG
 DRAWN LDW
 CHECKED JAG
 APPROVED JAG

JAY A. GREENWELL, PLS, LLC
 LAND SURVEYING - LAND PLANNING
 85 LAFAYETTE AVENUE, SUFFERN, NEW YORK, 10901
 PHONE 845-357-0830 FAX 845-357-0756

4 SHERWOOD LANE
 PLOT PLAN FOR
McKERNAN
 TOWN OF ORANGETOWN
 ROCKLAND COUNTY, NEW YORK

TAX LOT # 64.20-1-10.2
 AREA 44,321 SF
 FILE 2550PP2
 SCALE 1"=30'
 DATE 10/23/19
 JOB NO. 2550

REFERENCE: FILED MAP "SHERWOOD FOREST" FILED SEPT. 26, 1989 AS MAP #6374.